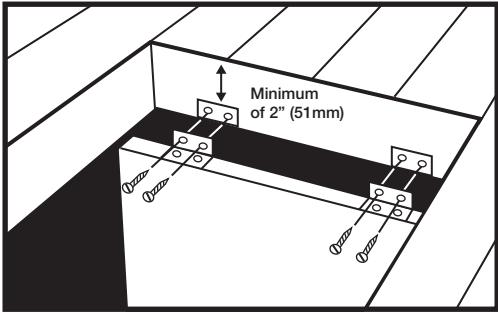
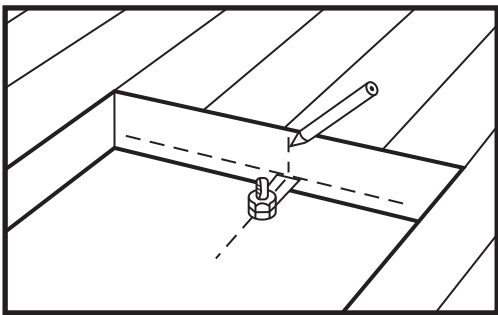


# LOFT AWAY

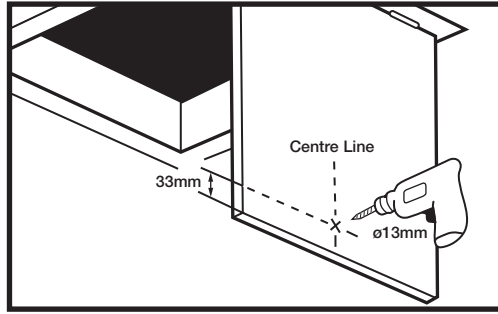


If you need a new trapdoor, use 20mm (3/4") max. Chipboard and MDF are not suitable. Use the existing cover as a template to cut out the new piece, ensuring a slightly loose fit all round (maximum 4mm gap). Remove the existing trapdoor and hinges.

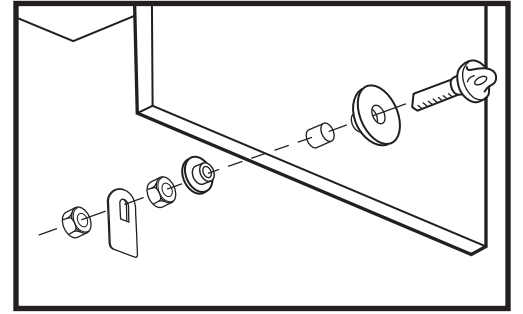
As shown in the diagram, screw the hinges provided to one edge of the trapdoor using four 3/4" (20mm) wood screws. For extra strength, fill the screw holes with wood glue. Offer up the hinges to the face of the frame on the same end as you intend setting the ladder, and fix. Ensure that there is at least 2" (51mm) clearance between the top face of the trapdoor and the top edge of the framework.



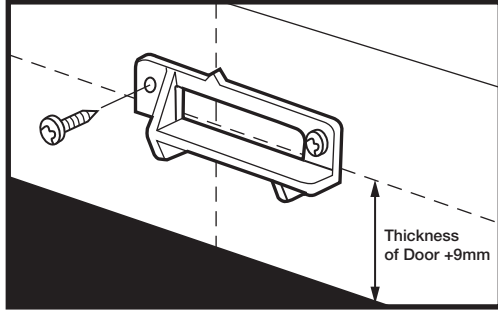
Mark a vertical line on the inside of the trapdoor frame corresponding with the centre line of the trapdoor twist catch.



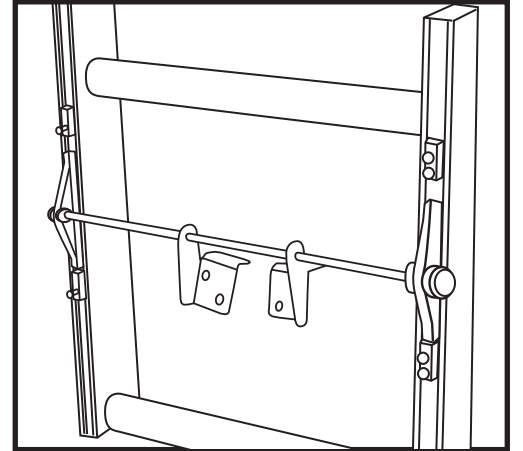
Find the mid-point of the trapdoor edge opposite to the hinged side. This will give you your centre line (see diagram). Mark with a pencil. Measure exactly 33mm in from the edge of the trapdoor. Drill a 13mm hole in the centre and sand any rough edges.



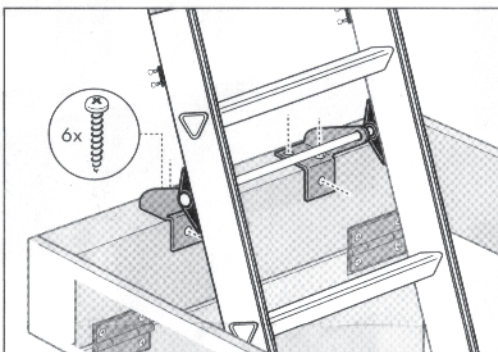
Push the two plastic collars through either side of the hole. The wider of the collars should be on the underside of the trapdoor. Then push the pivot pin through from the underside and secure above with a nut. The pivot pin should still be able to turn. Position the locking lever over the pivot pin and secure it, using the second nut. Make sure the pivot pin can still turn.



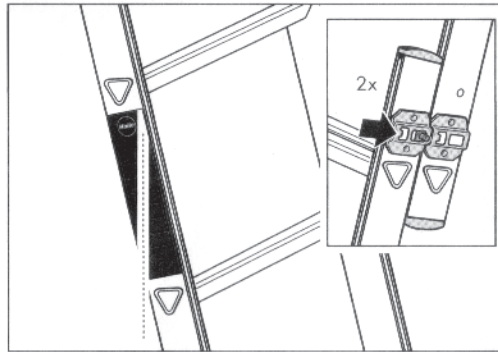
Position the catch location bracket as shown in diagram, along the horizontal line. Match up the indent mark on the bracket with the vertical centre line. Make guide holes with the bradawl and fix, using two 19mm wood screws supplied.



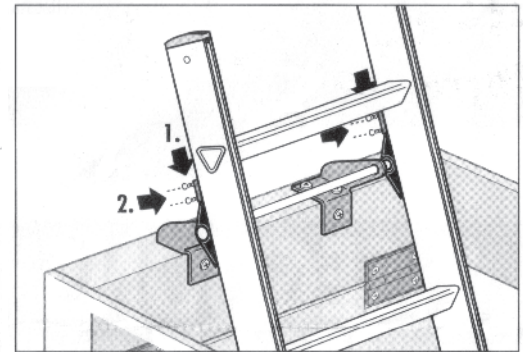
Locate pivot bar and the 2 pivot blocks in the component pack. Remove both top caps from the back section of your loft ladder. Slide the pivot bar into the back section ensuring both sides are fitted into the channels securely. Then place one pivot block into each channel. Replace the black caps into the top of the back section. You can then proceed with your installation as per the instruction.



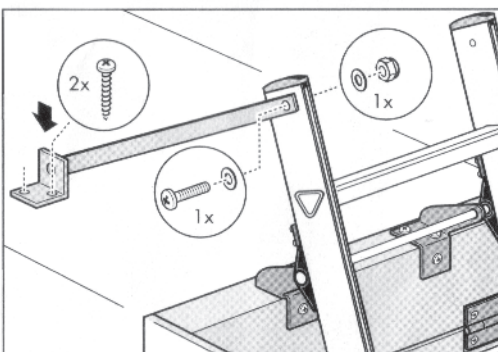
The loft ladder guide assembly is to be fitted to the frame with the 6 screws provided. Ensure the fixing brackets are positioned at each end of the guide assembly as illustrated. Ensure the ladder is central to the opening and not fouled by any obstruction.



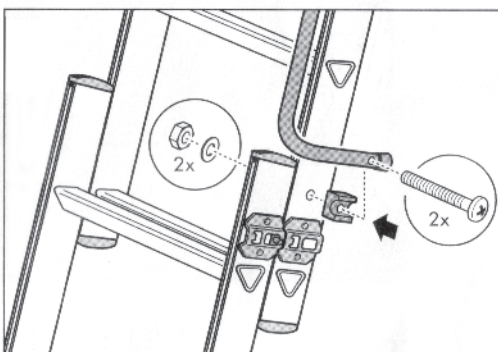
Lower the ladder to the floor. Ensure the catches are engaged and locked in position. Check the angle indicator label on the side of the ladder and position the ladder accordingly.



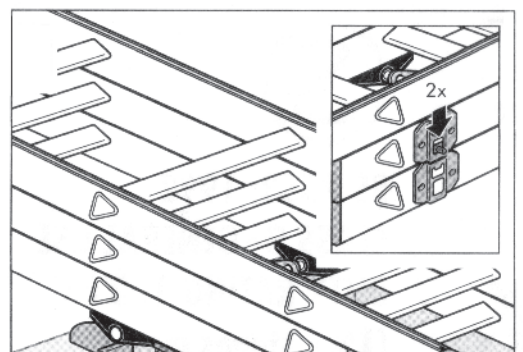
Ensure the ladder is in the correct position for climbing, i.e. slide the two black plastic stops down to the top of the guide assembly and tighten the four screws. This will allow the adjustment needed for slightly different floor-to-floor heights.



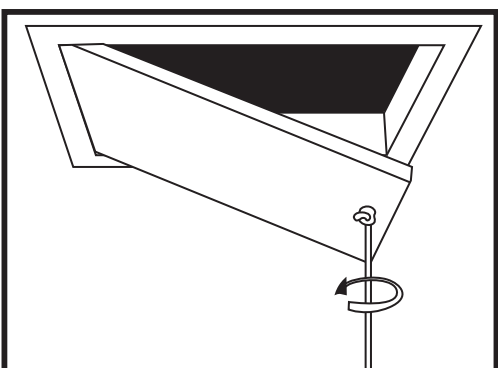
With the Ladder in the climbing position, fix the pivot arm to the floor of the loft with the two screws provided.



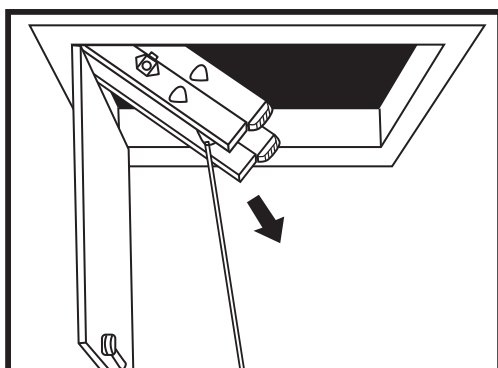
If supplied separately, attach the handrails to the middle or top section, as shown.



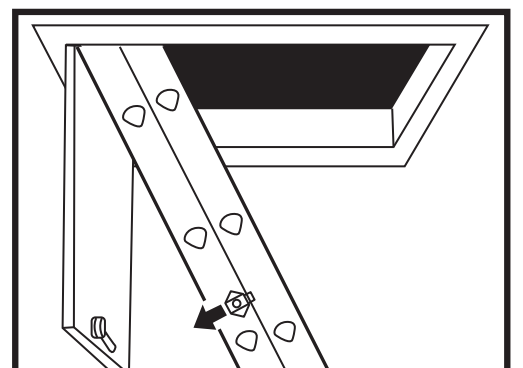
The sections are to be closed together, making sure the catches lock in position. Push the loft ladder fully into the loft. Slide the two plastic tops up to the underside of the guide assembly and tighten the four screws provided.



To open the trapdoor, use the stowing pole and hook (E2) and turn the twist catch pivot pin (A4) anti-clockwise to open and lower the trapdoor



Hook the ring at the foot of the ladder and pull it outwards and downwards.



To fully extend the ladder, retract the safety catch and while holding the front frame, lower slowly until the safety catch engages again. Lower the ladder until the feet rest firmly on the floor

Ensure the ladder is pulled down to the top stops or additional top stops if fitted.